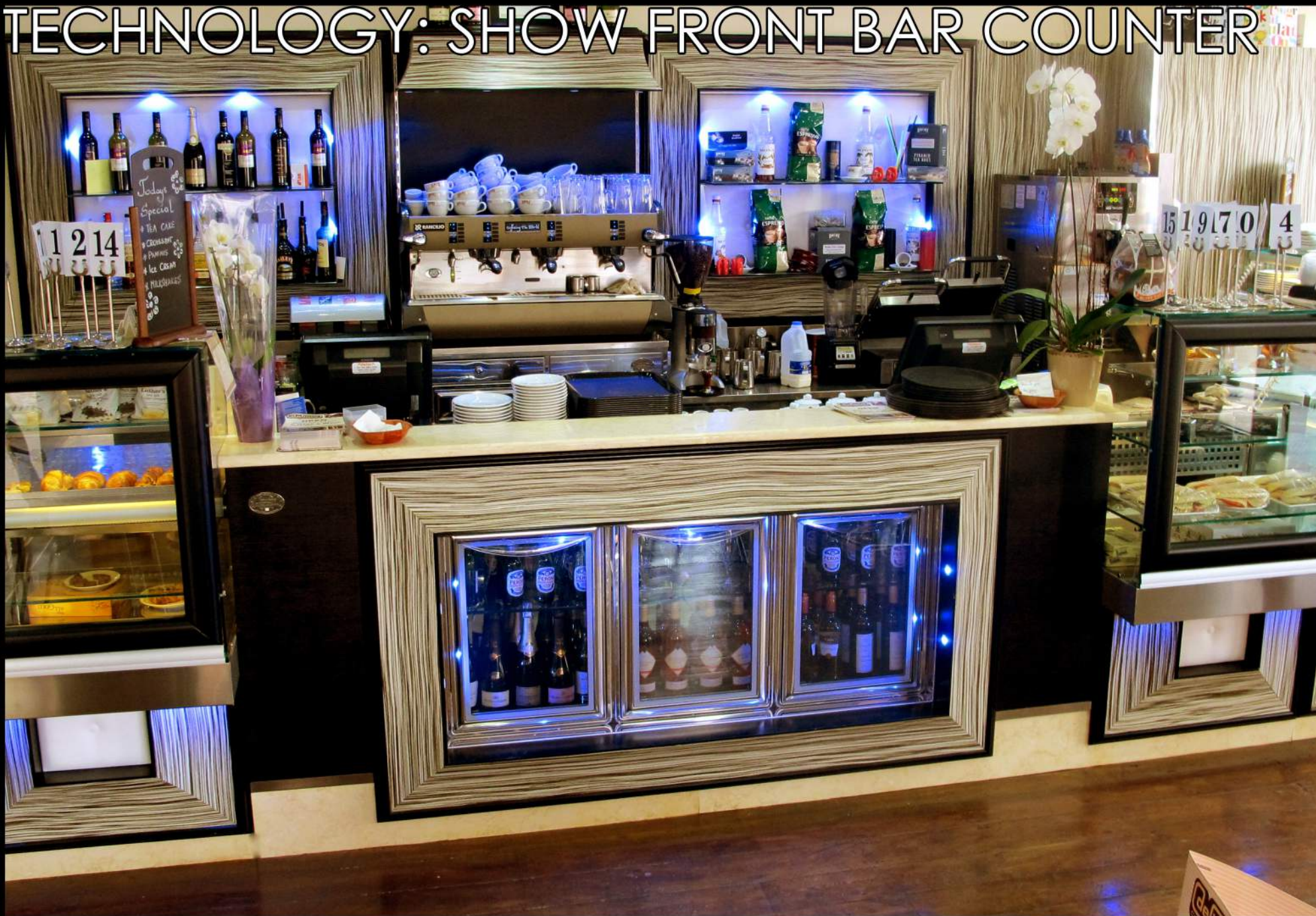


TECHNOLOGY: SHOW FRONT BAR COUNTER





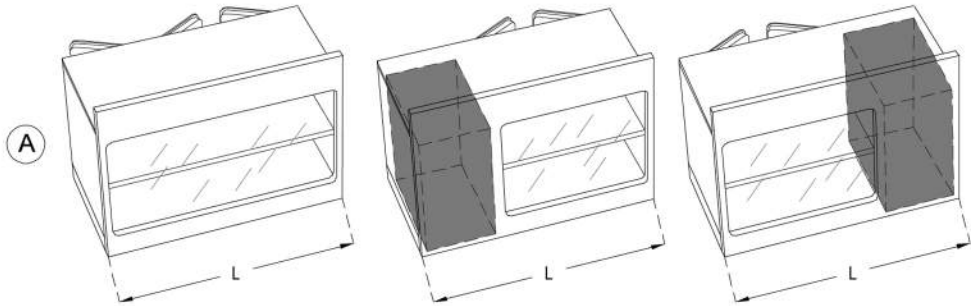


SHOW FRONT COUNTER

engine (G.C.ext.)

engine (G.C.int.DX)

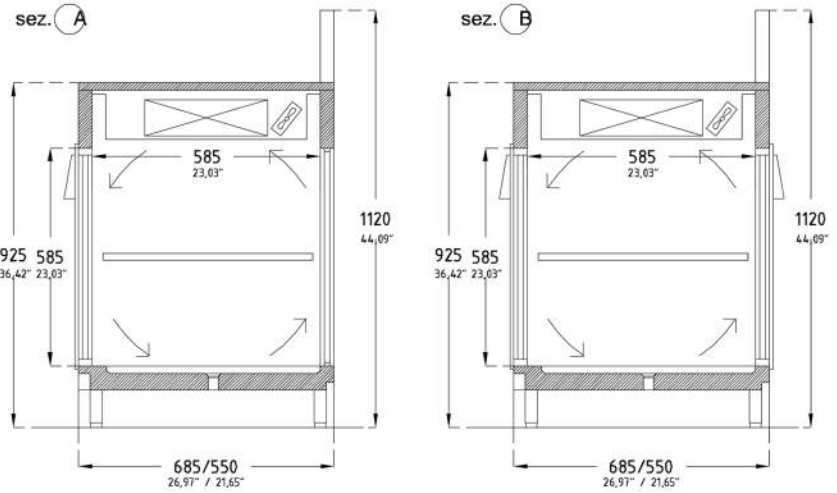
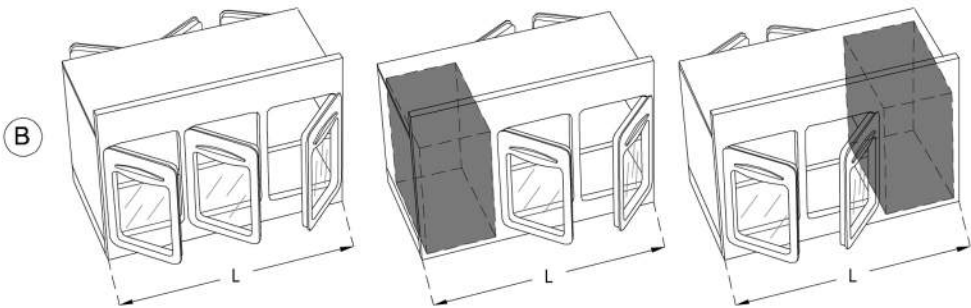
engine (G.C.int.SX)



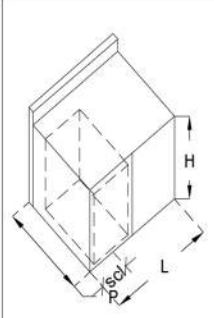
engine (G.C.ext.)

engine (G.C.int.DX)

engine (G.C.int.SX)



	engine	doors						P	H	C°		
		1	2	3	4	5	6					
A	G.C. ext	L						685	550	925	+4 +10	
	G.C. int	L										
	G.C. ext	mm	500	1000	1500	2000	2500	3000	26,97	21,65		36,42
	G.C. int	inch	19,68	39,37	59,05	78,74	98,42	118,11				
B	G.C. ext	mm	500	1000	1500	2000	2500	3000	685	550	925	+4 +10
	G.C. int	mm	1000	1500	2000	2500	3000	3500				
	G.C. ext	inch	19,68	39,37	59,05	78,74	98,42	118,11	26,97	21,65	36,42	
	G.C. int	inch	39,37	59,05	78,74	98,42	118,11	137,79				



NOTE