

# TECHNOLOGY: COFFE / SNACK COUNTER

270

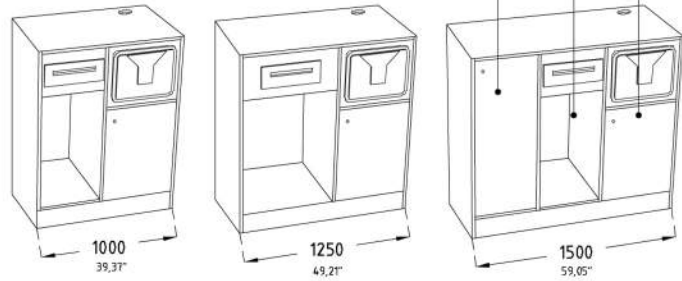




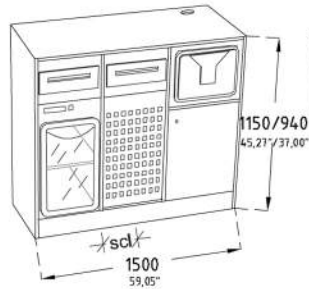


# · COFFEE / SNACK COUNTER

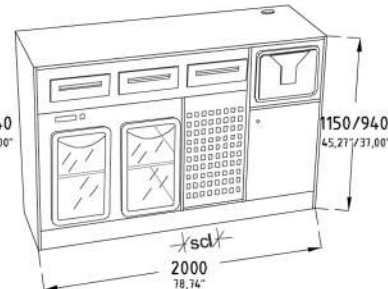
**A** coffee counter



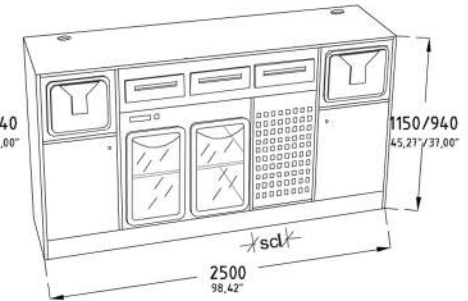
engine (G.C.int.)



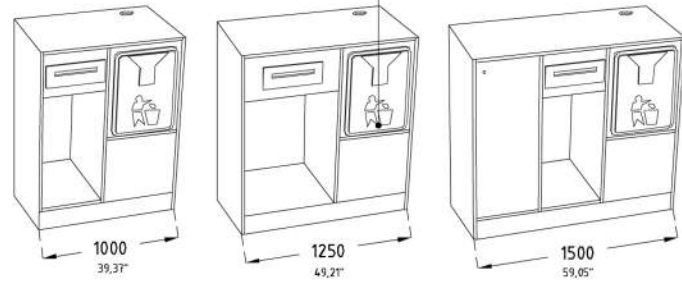
engine (G.C.int.)



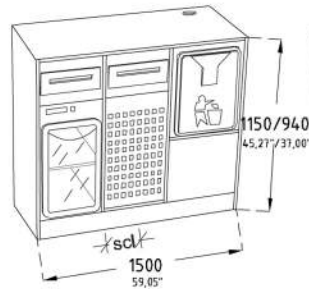
engine (G.C.int.)



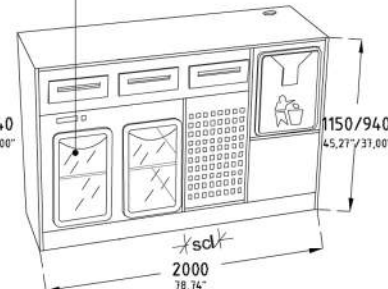
**B** snack counter



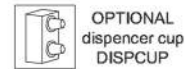
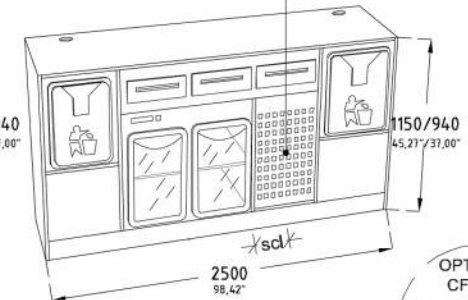
engine (G.C.int.)



**B2** engine (G.C.int.)



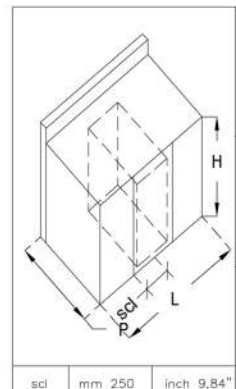
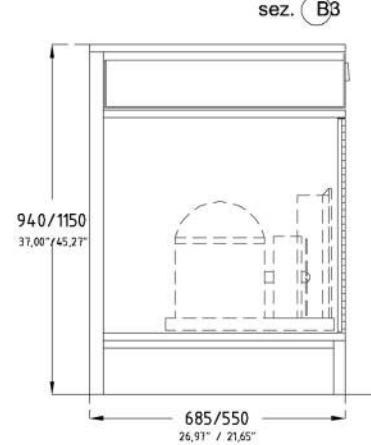
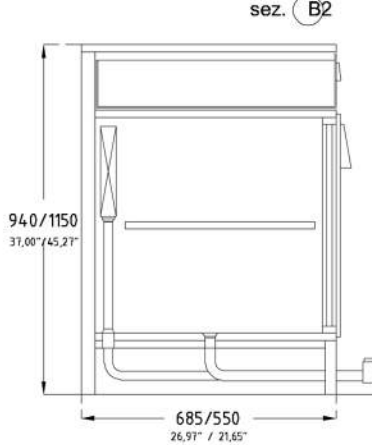
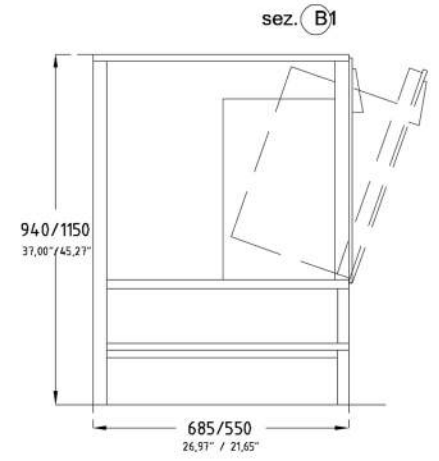
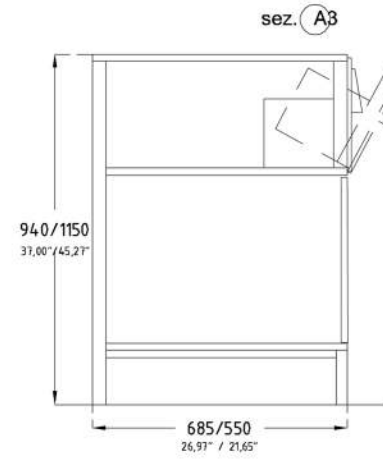
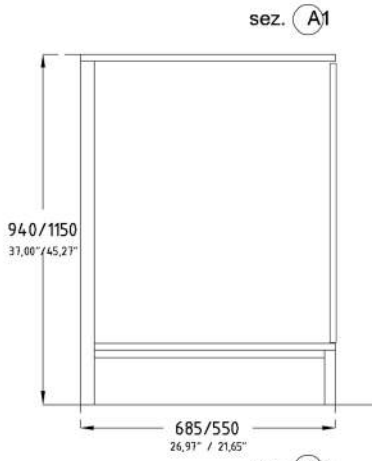
engine (G.C.int.)



NOTE



# COFFEE / SNACK COUNTER



		L					P		H		C°	
A	engine										❄	
	G.C. int	mm	1000	1250	1500	2000	2500	685	550	940	1150	+4
	G.C. int	inch	39,37"	49,21"	59,05"	78,74"	98,42"	26,91"	21,65"	37,00"	45,27"	+10
	G.C. int	mm			1500	2000	2500	685	550	940	1150	+4
B	G.C. int	mm	1000	1250	1500	2000	2500	685	550	940	1150	+4
	G.C. int	inch	39,37"	49,21"	59,05"	78,74"	98,42"	26,91"	21,65"	37,00"	45,27"	+10

NOTE