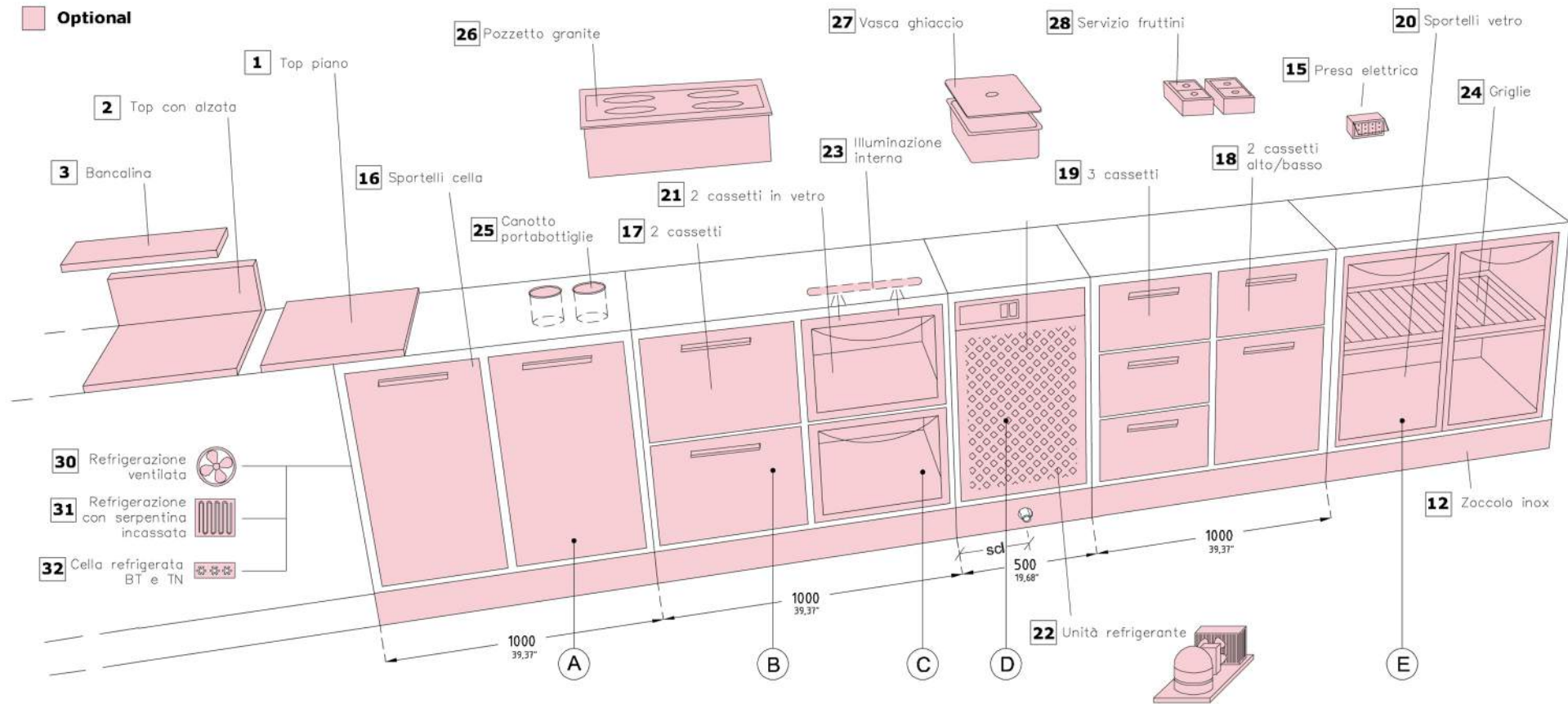


TECHNOLOGY: REFRIGERATED BAR COUNTER



• BANCHI REFRIGERATI _ refrigerated bar counter

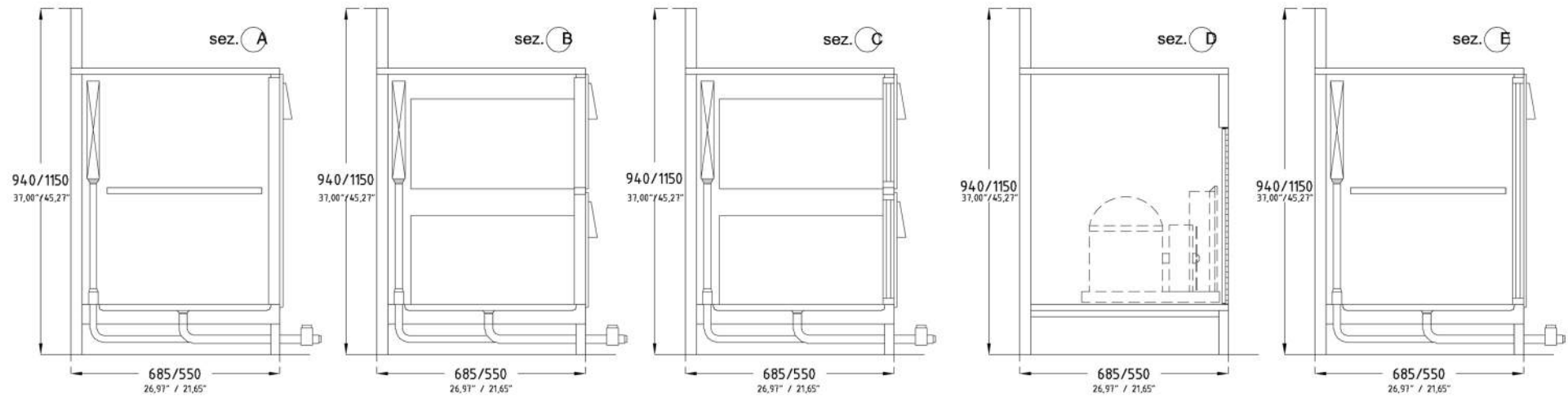
 **Optional**



NOTE



· BANCHI REFRIGERATI _ refrigerated bar counter



		L						P	H	C°		
A	mm	500	1000	1500	2000	2500	3000	685	550	940	1150	+4 / +10
	inch	19,68"	39,37"	59,05"	78,74"	98,42"	118,11"	26,97"	21,65"	37,00"	45,27"	
B	mm	500	1000	1500	2000	2500	3000	685	550	940	1150	+4 / +10
	inch	19,68"	39,37"	59,05"	78,74"	98,42"	118,11"	26,97"	21,65"	37,00"	45,27"	
C	mm	500	1000	1500	2000	2500	3000	685	550	940	1150	+4 / +10
	inch	19,68"	39,37"	59,05"	78,74"	98,42"	118,11"	26,97"	21,65"	37,00"	45,27"	
D	mm	500						685	550	940	1150	
	inch	19,68"						26,97"	21,65"	37,00"	45,27"	
E	mm	500	1000	1500	2000	2500	3000	685	550	940	1150	+4 / +10
	inch	19,68"	39,37"	59,05"	78,74"	98,42"	118,11"	26,97"	21,65"	37,00"	45,27"	

NOTE